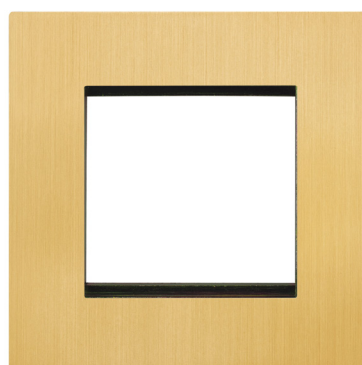


Renaissance collection *Euro module plate*



Description

A range of single and twin euro module plates, that with accept euro module grid modules.

Features

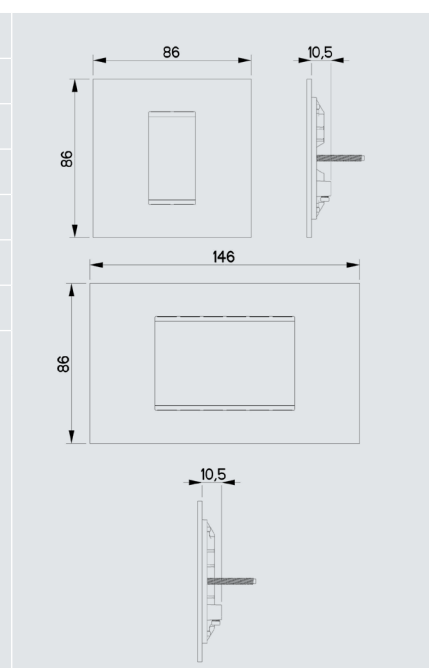
- Ø4.5 mm earth terminal
- Available in 1, 2, 3, and 4 module size

Standards and approvals

CE and UKCA Marked
BS 5733

Technical specification

Rated voltage	250 V AC
Ambient operating temperature	-5°C to 40°C
Max installation altitude	2000 metres
Terminal capacity	E 4 x 1.5mm ² 3 x 2.5mm ² or 2 x 4mm ²
Recommended box	35mm metal box to BS 4662
IP rating	IP2XD
Single plate dimensions	86mm x 86mm
Twin plate dimensions	146mm x 86mm



Finishes technical specification

Canvas

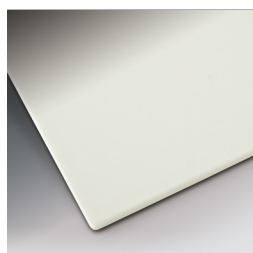


Plate material	2.5mm CZ108 brass
Finish applied on plate	Canvas, primed white ready for customer's own finish
Screw type	Screwless
Plate prefix	RCN
Standard insert trim colour	N/A
Standard rocker finish	N/A

Ochre

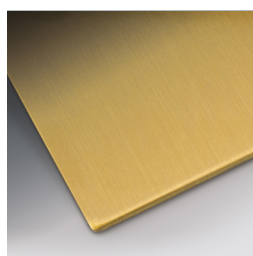


Plate material	2.5mm CZ108 brass
Finish applied on plate	Ochre, brushed grain finish with matt lacquer protection
Screw type	Screwless
Plate prefix	ROC
Standard insert trim colour	N/A
Standard rocker finish	N/A

Roma



Plate material	2.5mm CZ108 brass
Finish applied on plate	Roma, brushed grain finish with matt lacquer protection
Screw type	Screwless
Plate prefix	RRO
Standard insert trim colour	N/A
Standard rocker finish	N/A

Sienna



Plate material	2.5mm CZ108 brass
Finish applied on plate	Sienna, brushed grain finish with matt lacquer protection
Screw type	Screwless
Plate prefix	RSI
Standard insert trim colour	N/A
Standard rocker finish	N/A

Umber

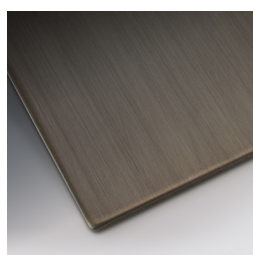


Plate material	2.5mm CZ108 brass
Finish applied on plate	Umber, brushed grain finish with matt lacquer protection
Screw type	Screwless
Plate prefix	RUM
Standard insert trim colour	N/A
Standard rocker finish	N/A

Plate care instructions

These finishes are protected by a matt lacquer (except Canvas). These plates must only be cleaned with a wax-based polish applied with a soft, dry cloth. Under no circumstances should abrasive/solvent polishes or paint removing solvents/treatments be used. Under most conditions the lacquer finish guarantees full protection.

Fitting of products

Installation on wet plaster or paint should be avoided at all times. All electrical products must be fitted by a fully qualified electrician, failure to adhere to this will void any warranty on the products.

Bespoke accessories

Focus SB can produce and manufacture bespoke accessories including combination plates and various multi gang plates to meet your exact requirements in this range please contact one of our product consultants for further details.

Interiors

All interiors are designed to run on British Standard 230 V. Non-UK standard interiors are available upon specific request, please contact one of our product consultants for further details.

This product is suitable for UK metal flush boxes to BS 4662, dry liner boxes and boxes with internal intumescent pads are not recommended. Boxes, plates and grids must be earthed and if fitted outside the UK permission/approval must be obtained by the local or national electricity supplier and/or approvals authority.

Warranty

25-year manufactures warranty against mechanical or electrical fault.

Refer to the standard terms & conditions of sale Clause 5 (as found at www.focus-sb.co.uk/terms).

Contact details

focus sb

Tel: +44 (0) 1424 858060
sales@focus-sb.co.uk
www.focus-sb.co.uk

Focus SB Ltd
Napier Road
St. Leonards-on-Sea
East Sussex
TN38 9NY UK

