

## Technical Data Sheet Euromodule Grids

### Description

A range of 1-4 module Euromod grids and plates giving flexibility to mix a range of power options or a range of data/AV options

### Standards and Approvals

BS5733

### Features

- Superior hand finished Metal Front Plate that complement the décor

### Technical Specification

Box Type 1 & 2 Module

Box Type 3 & 4 Module

IP Rating (with module)

IP Rating (with module and plate removed)

\* Check Module Specification

British Standard BS1363

Single Box 35mm\* Deep

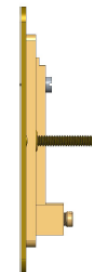
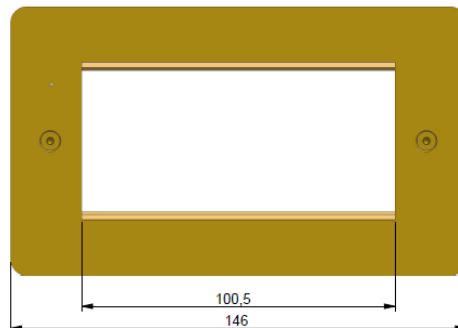
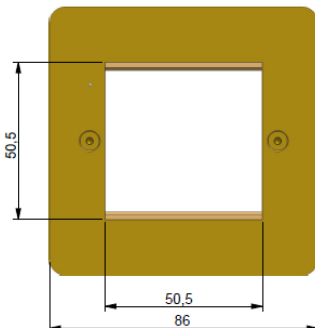
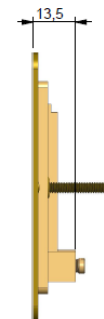
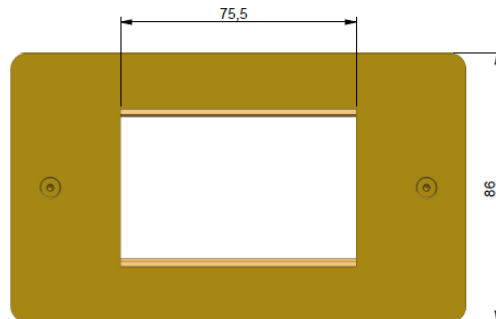
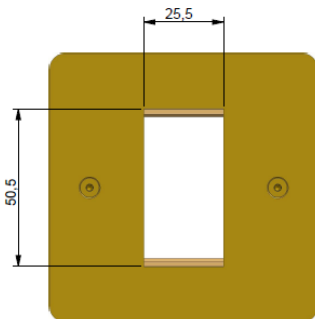
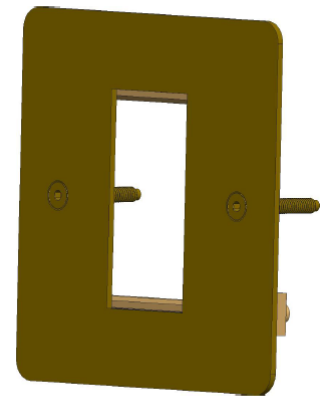
British Standard BS1363

Double Box 35mm\*

Deep

IP2XD

IP2X



Horizon range shown in illustrations